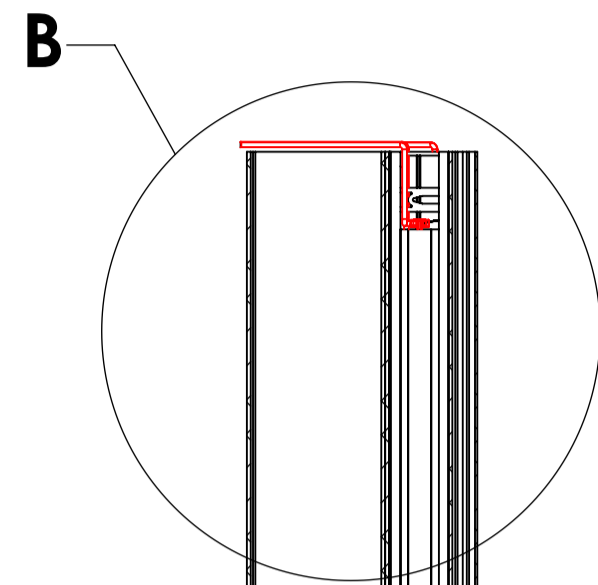
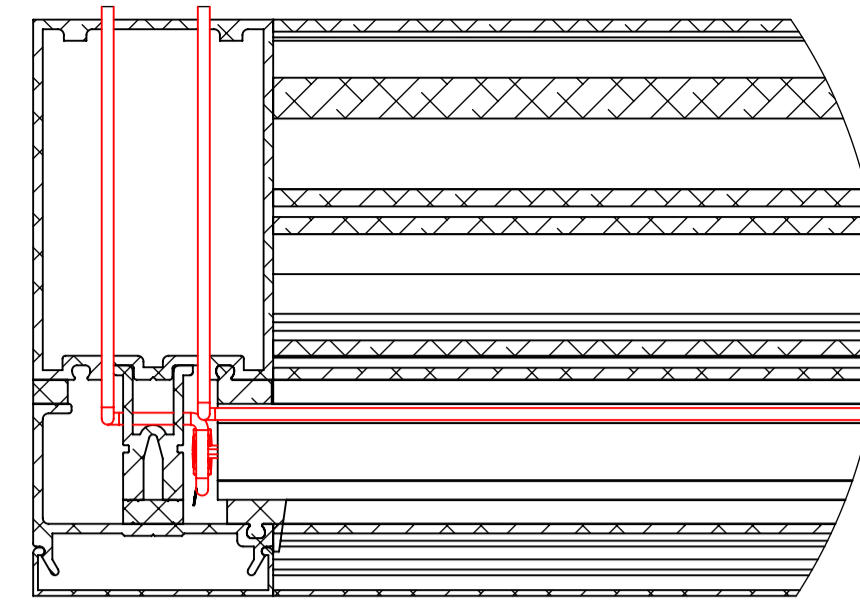
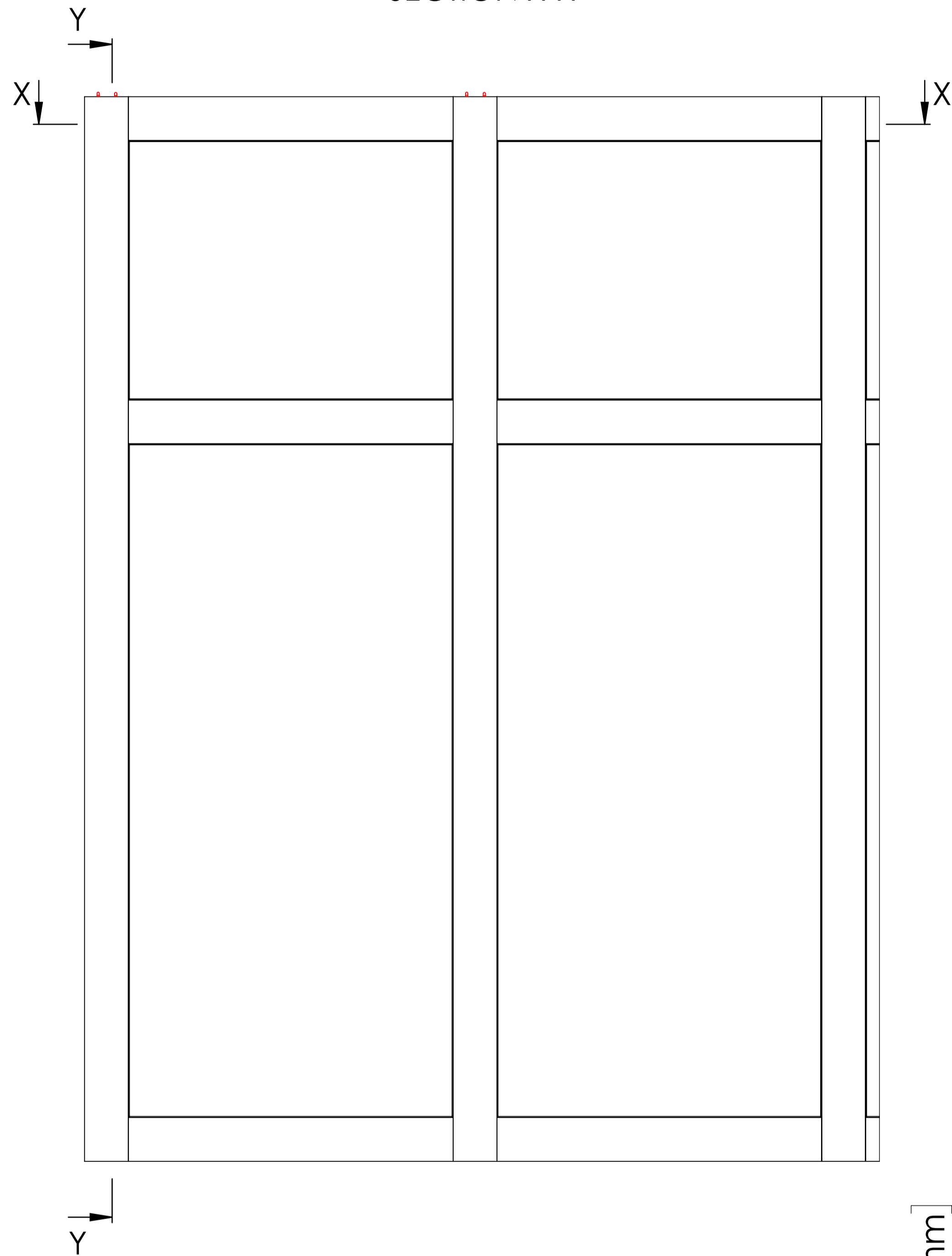


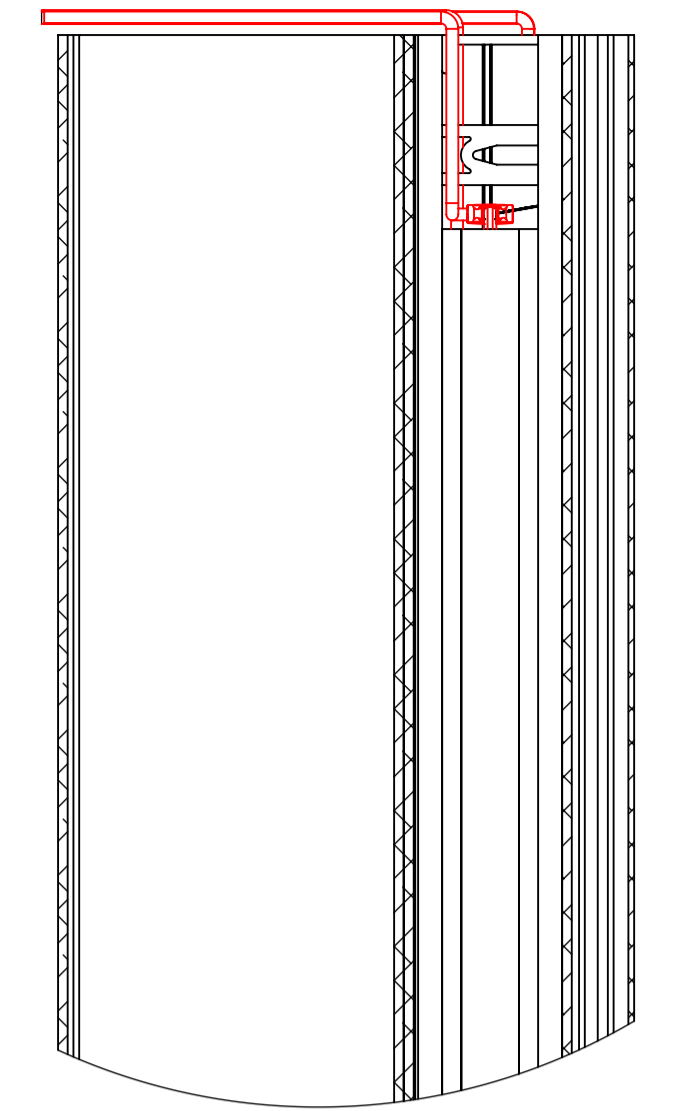
SECTION X-X



SECTION Y-Y



DETAIL A  
SCALE 1 : 2

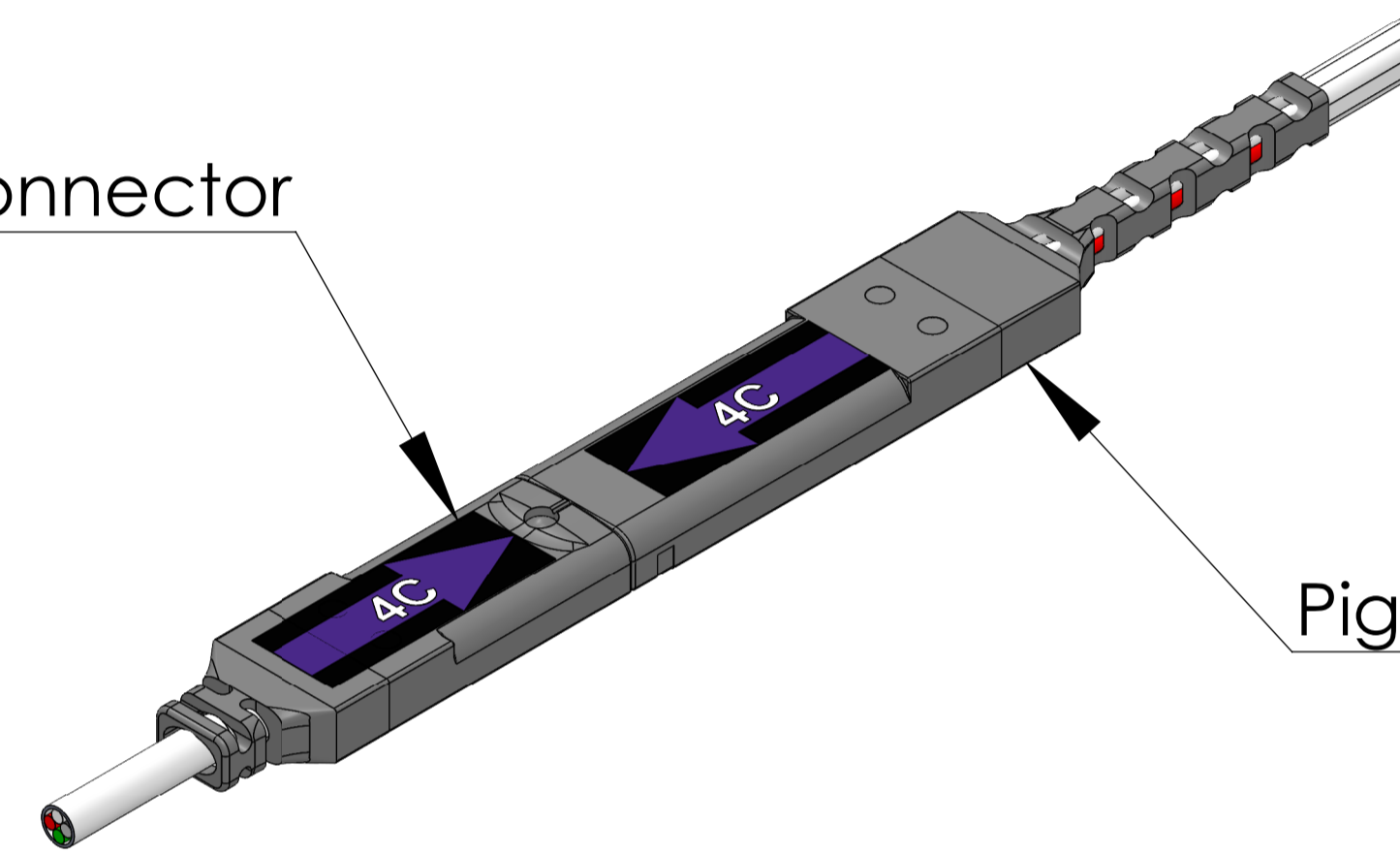


DETAIL B  
SCALE 1 : 2

OVERVIEW

Connector Assembly

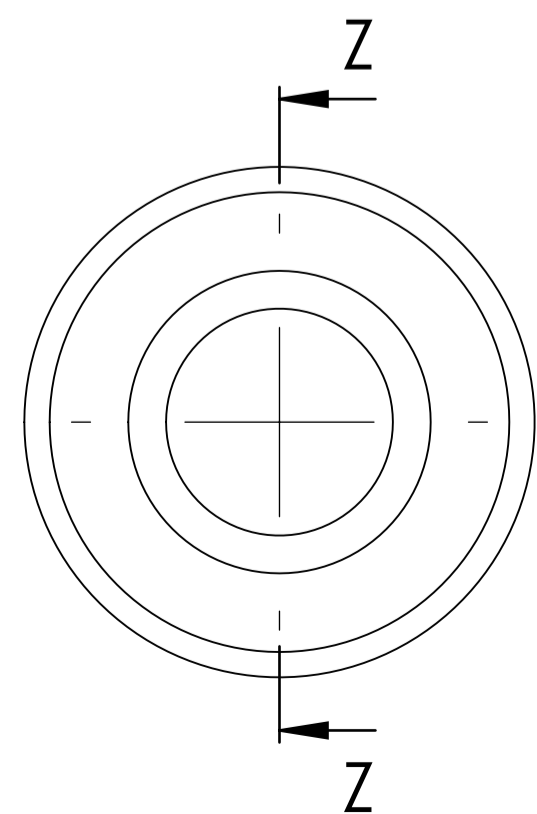
Frame Cable Connector



Pigtail Connector

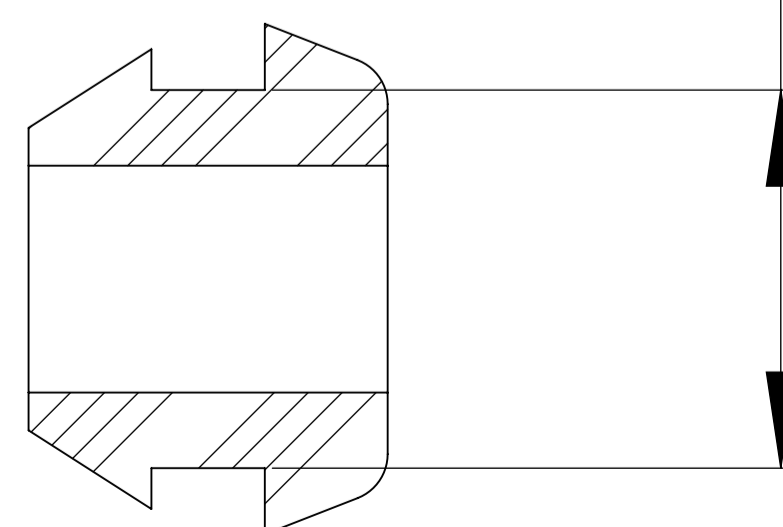
Recommended Steps for Installation:

1. Drill 10 mm hole for frame cable grommet.
2. De-bur hole using hand held file.
3. Utilize silicone Dow 795 or similar adhesive to secure grommet in hole.
4. Feed frame cable through the grommated hole with the connection point remaining in the glazing pocket. (SSG applications may require a cutout slot allowing the connection of the pigtail and frame cable to sit flush and not disrupt the smooth finish of the SSG).
5. If factory glazed, pigtail and frame cable are to be assembled inside the glazing pocket during the factory assembly of IGU and frame cable to be protected during transport and installation at site. Protect pigtail and frame cable at all times.
6. Glazier must label frame cable to match corresponding IGU per wiring diagram. If not enough room inside glazing pocket, bring the pigtail to frame cable connection out to a suitable location.
7. While installing glass, connect the pigtail to the frame cable and create a service loop in the glazing pocket.
8. Finish glazing ensuring none of the wires are pinched or damaged.
9. Cable bundled at the mullion exit to be protected.
10. Use the provided Field Wiring Tester after each frame cable is routed through the frame.
11. This drawing shows frame cable routing options, but other options may work as well or better. Service loop, protecting, testing, and labelling the frame cable is required.



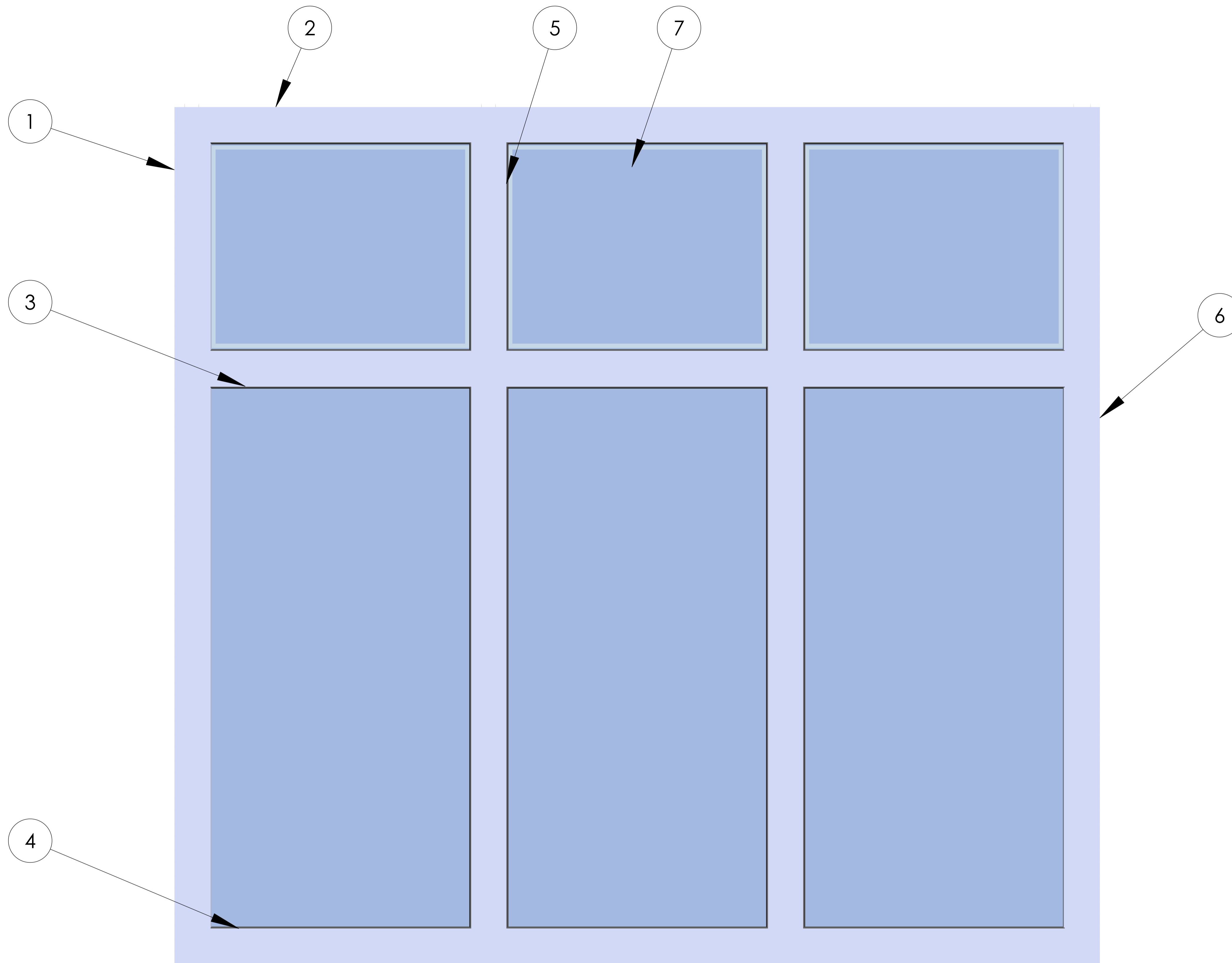
SECTION Z-Z  
SCALE 5 : 1

[10.00mm]  
Ø 0.39in



		<b>SAGE Electrochromics Inc.</b>	
ALL DIMENSIONS ARE IN "Inches"		DRAWING SHEET	A1
DRAWN BY	TSS	REVISION	APPROVED BY DATE
CHECKED BY			
DESCRIPTION : <b>Kawneer 1600 Stick Glazing System</b>			
SCALE: 1:5	DATE: 27-01-2023	SHEET NO	1 OF 7

# ASSEMBLED FRAME

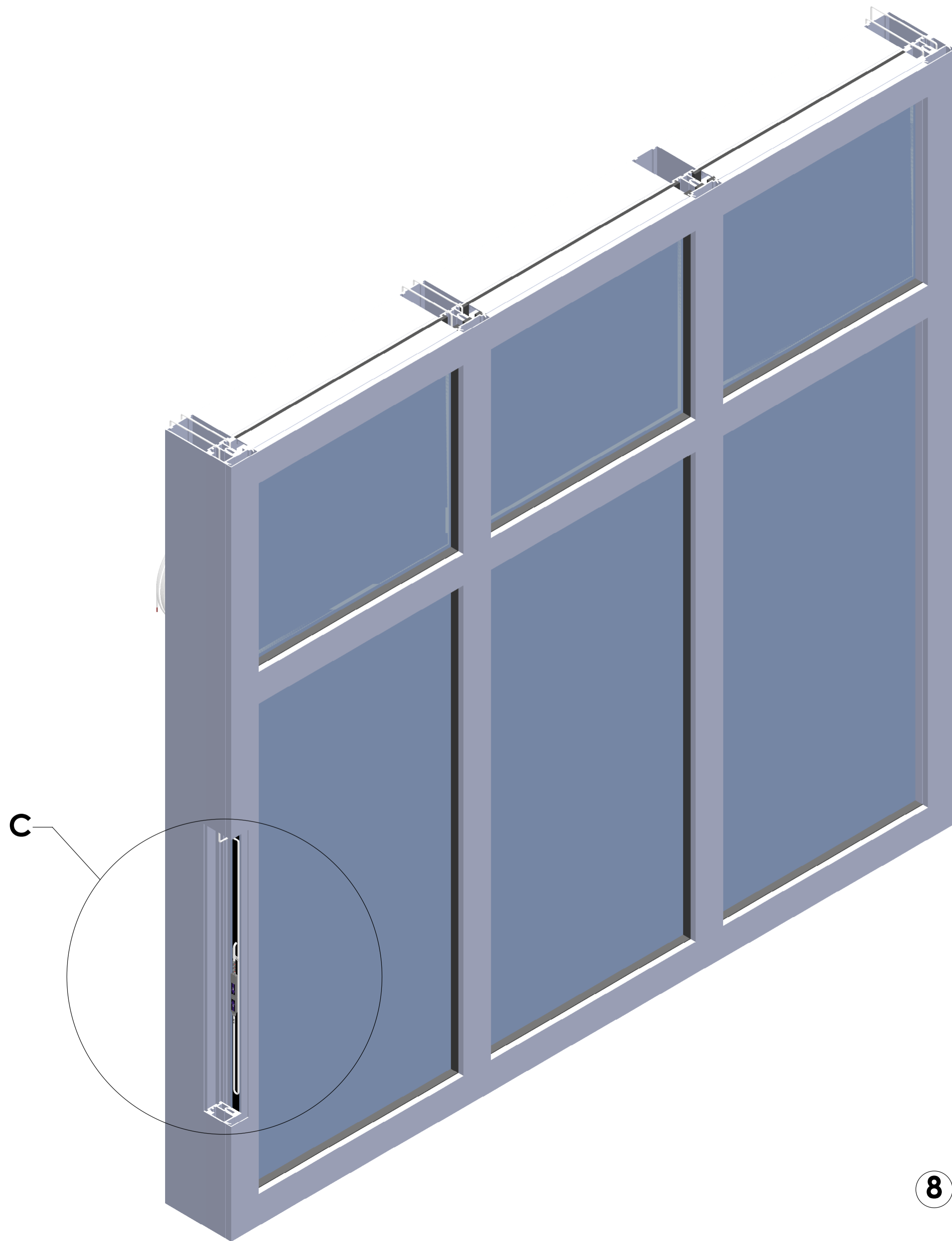


- ① - LEFT JAMB
- ② - HEAD
- ③ - HORIZONTAL
- ④ - SILL
- ⑤ - VERTICAL
- ⑥ - RIGHT JAMB
- ⑦ - SAGE GLASS

THIS DRAWING IS THE PROPERTY AND COPYRIGHT OF SAGE ELECTROCHROMICS INC. ANY REPRODUCTION, REPRODUCTION OR USE WITHOUT AUTHORIZATION IS PROHIBITED. DO NOT SCALE THE DRAWING.

<b>SAGE Electrochromics Inc.</b>		DRAWING SHEET	A1
ALL DIMENSIONS ARE IN "inches"		REVISION	APPROVED BY DATE
DRAWN BY	TSS		
CHECKED BY			
DESCRIPTION :			
<b>Kawneer 1600 Stick Glazing System</b>			
SCALE: 1:5	DATE : 27-01-2023	SHEET NO	2 OF 7

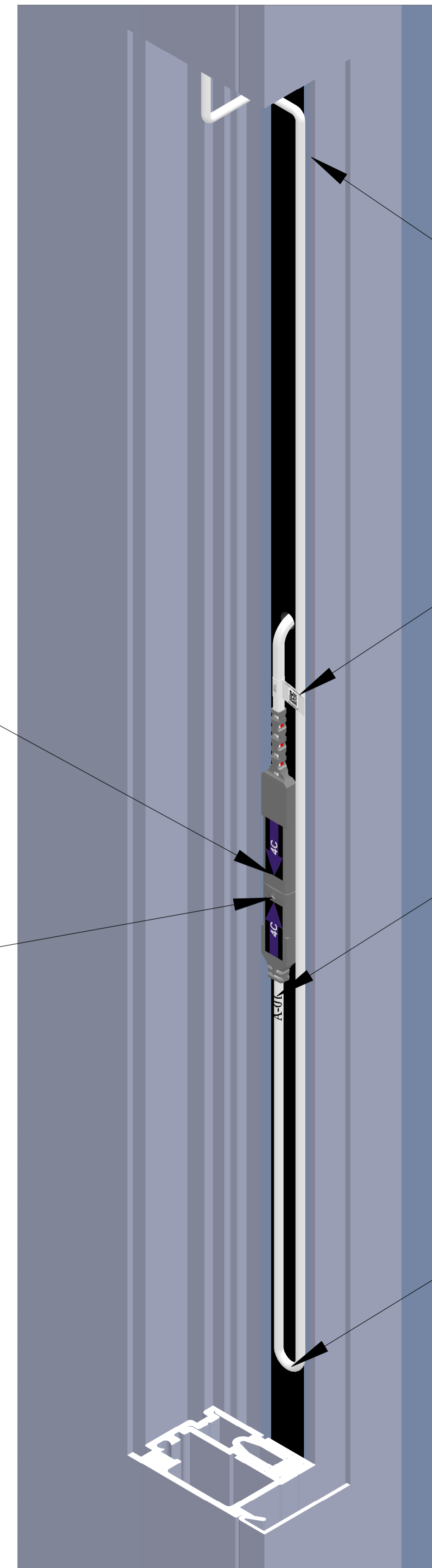
# CONNECTOR ASSEMBLY - VERTICAL MULLION



CONNECTOR ASSEMBLY  
INSIDE GLAZING POCKET OF  
VERTICAL MULLION

8

## 8 - CONNECTOR ASSEMBLY



FRAME CABLE EXITING THE  
GLAZING POCKET OF THE  
MULLION

PIGTAIL LABEL

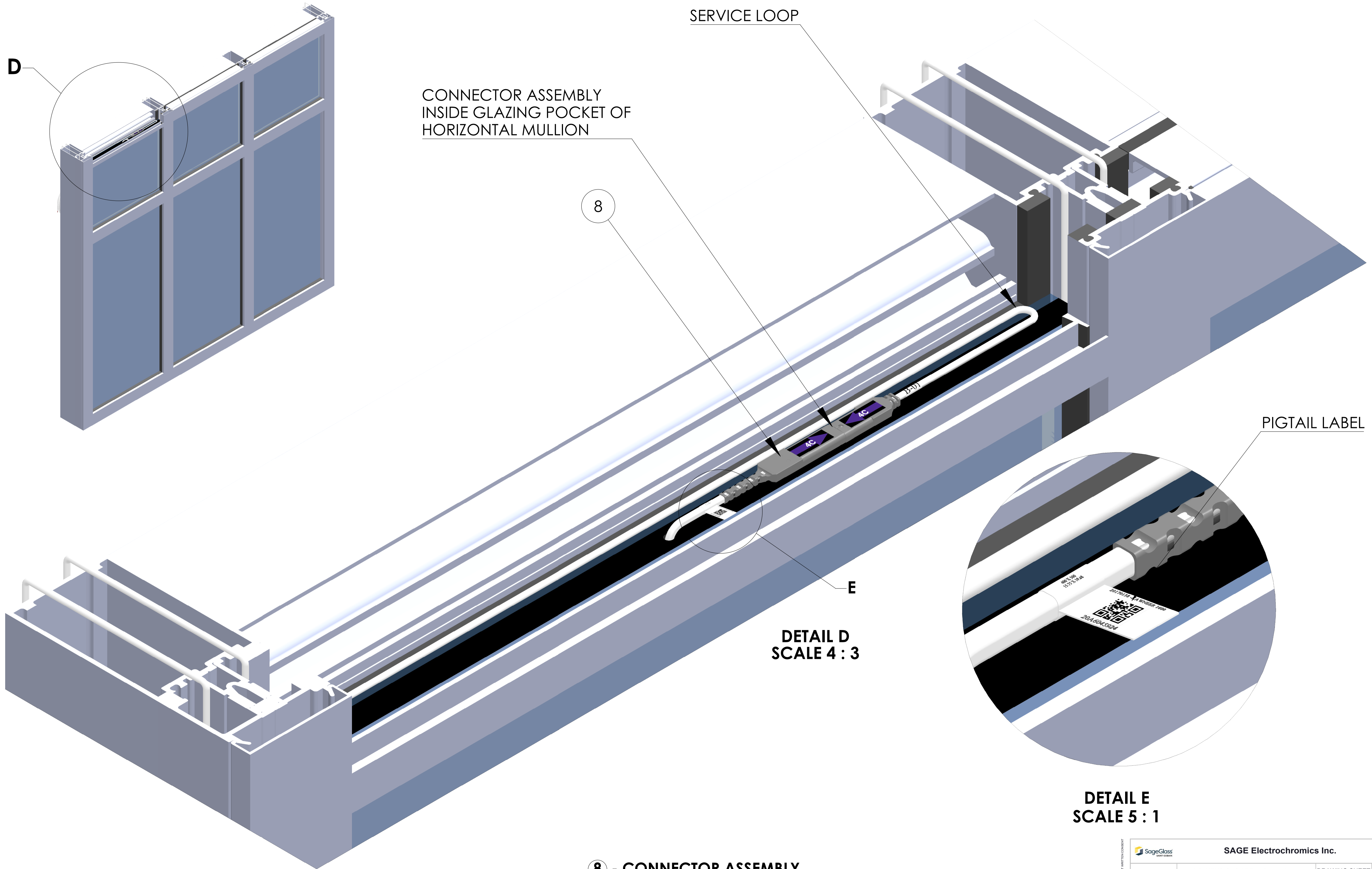
REFERENCE TAG

SERVICE LOOP

DETAIL C  
SCALE 1 : 1

		<b>SAGE Electrochromics Inc.</b>	
<small>ALL DIMENSIONS ARE IN "inches"</small>		DRAWING SHEET	A1
DRAWN BY	TSS	REVISION	APPROVED BY DATE
CHECKED BY			
DESCRIPTION :			
Kawneer 1600 Stick Glazing System			
SCALE: 1:5	DATE : 27-01-2023	SHEET NO	3 OF 7

# CONNECTOR ASSEMBLY - HORIZONTAL MULLION



⑧ - CONNECTOR ASSEMBLY

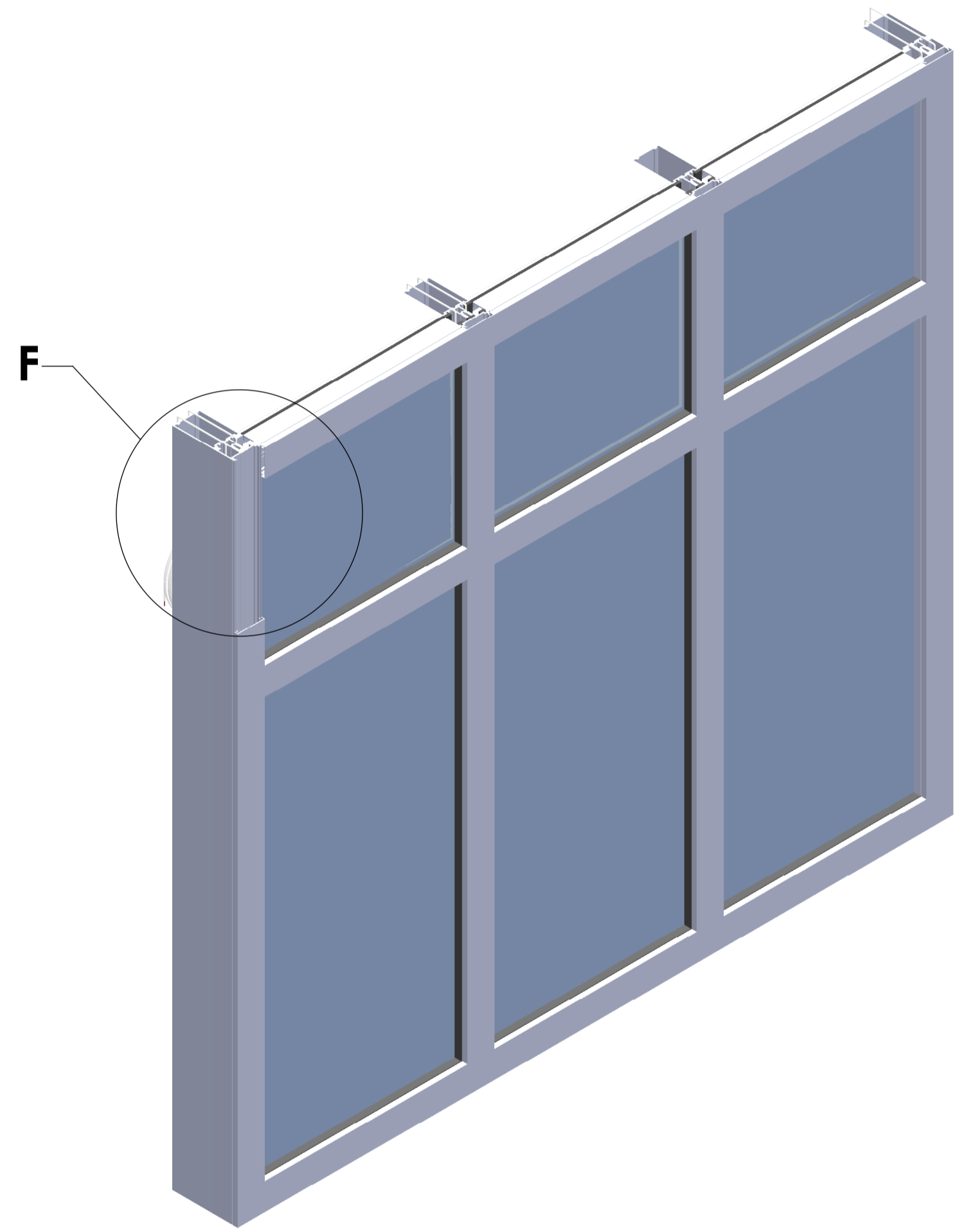
DETAIL E  
SCALE 5 : 1

DETAIL D  
SCALE 4 : 3

		<b>SAGE Electrochromics Inc.</b>	
<small>ALL DIMENSIONS ARE IN "inches"</small>		DRAWING SHEET	A1
DRAWN BY	TSS	REVISION	APPROVED BY DATE
CHECKED BY			
DESCRIPTION :			
<b>Kawneer 1600 Stick Glazing System</b>			
SCALE: 1:8	DATE : 27-01-2023	SHEET NO	4 OF 7

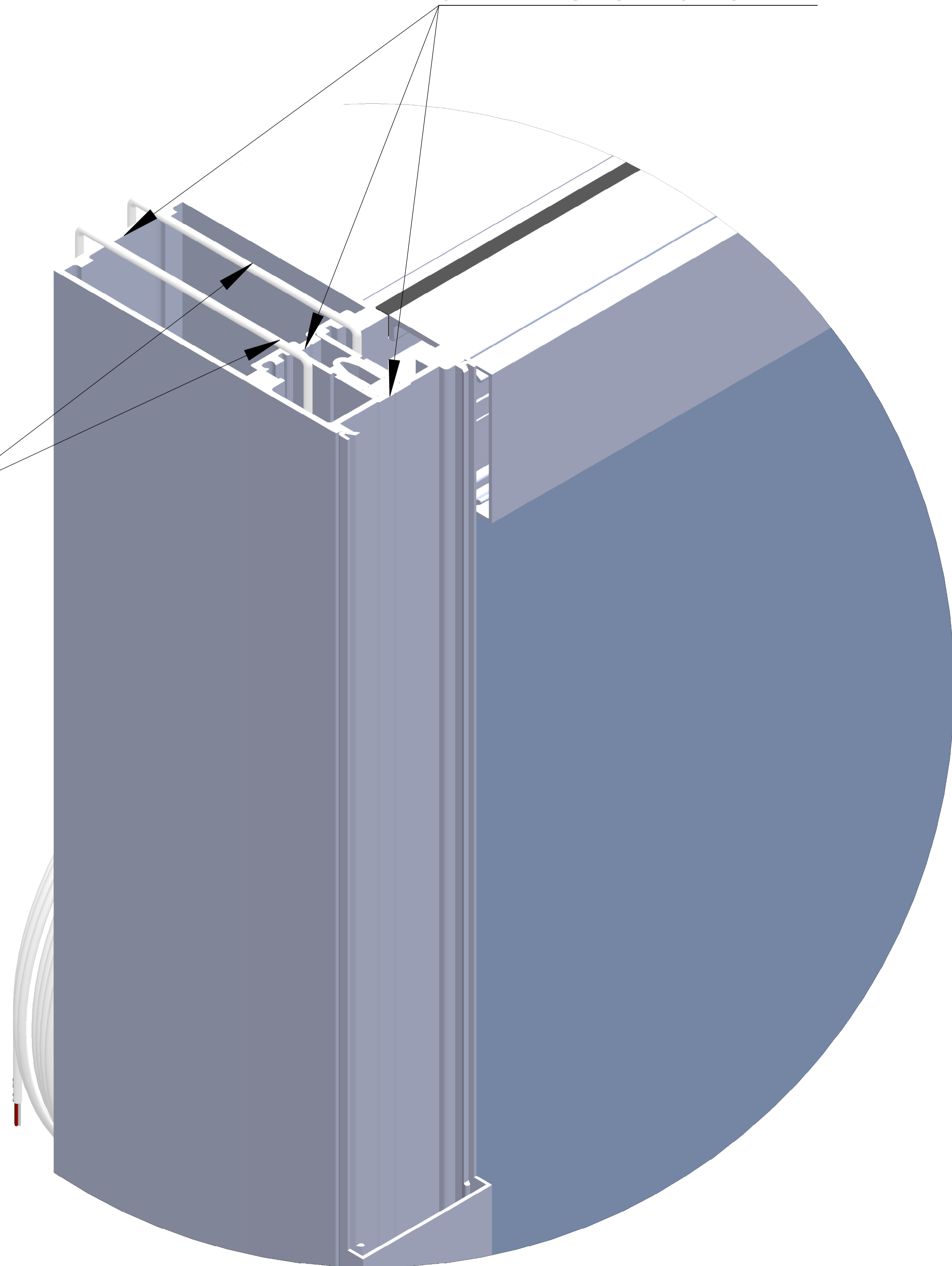
THIS DRAWING IS THE PROPERTY AND COPYRIGHT OF SAGE ELECTROCHROMICS INC. UNLESS OTHERWISE SPECIFIED, REPRODUCTIONS OR USES WITHOUT WRITTEN CONSENT DO NOT SCALE THE DRAWING.

# FRAME CABLE ROUTING




FRAME CABLE EXITS MULLION THROUGH TOP

PROTECT FRAME CABLE FROM SHARP EDGE OF MULLION

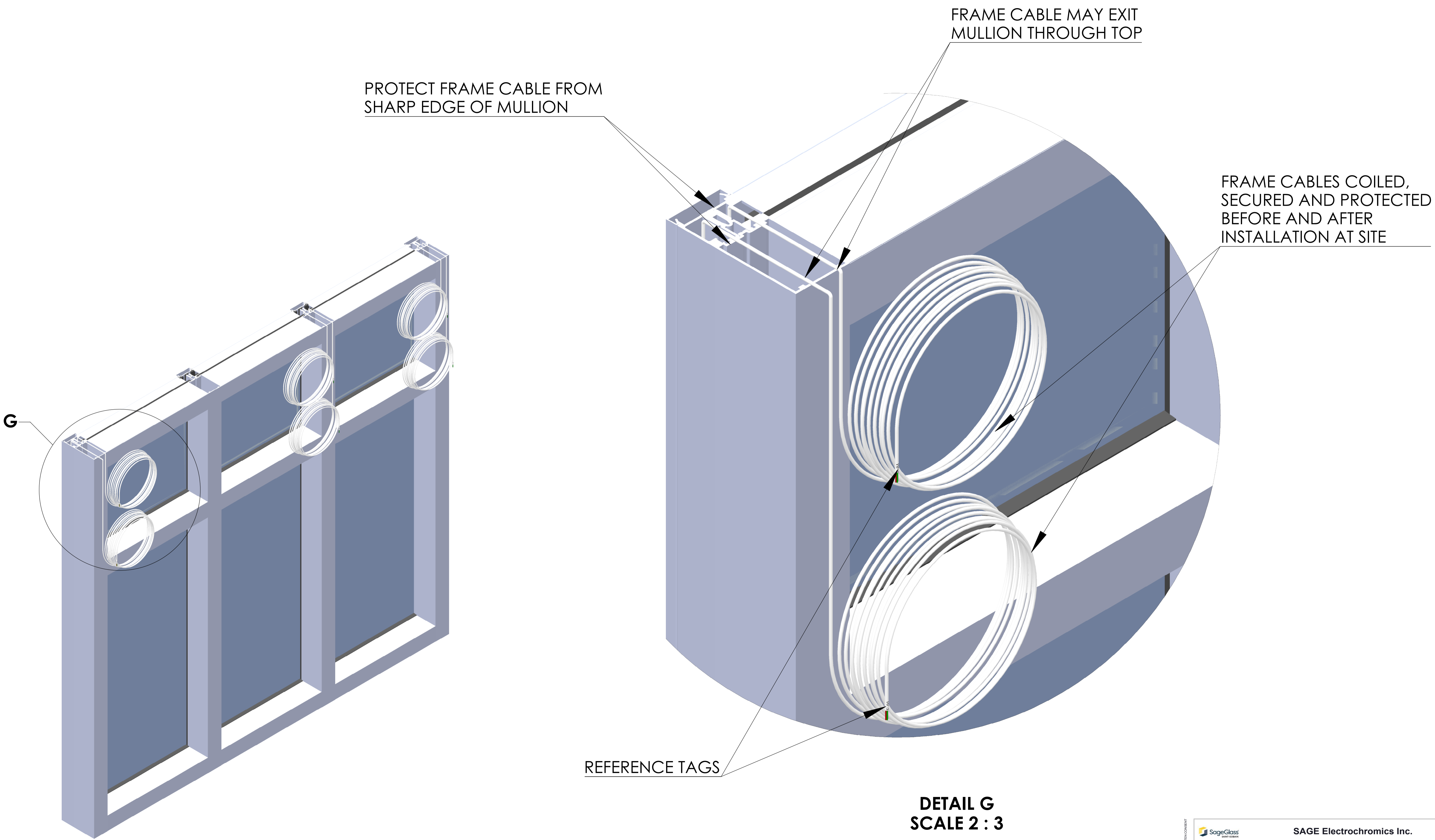



**DETAIL F  
SCALE 1 : 1**

		<b>SAGE Electrochromics Inc.</b>	
<small>ALL DIMENSIONS ARE IN "inches"</small>		DRAWING SHEET	A1
DRAWN BY	TSS	REVISION	APPROVED BY DATE
CHECKED BY			
DESCRIPTION :			
<b>Kawneer 1600 Stick Glazing System</b>			
SCALE: 1:8	DATE : 27-01-2023	SHEET NO	5 OF 7

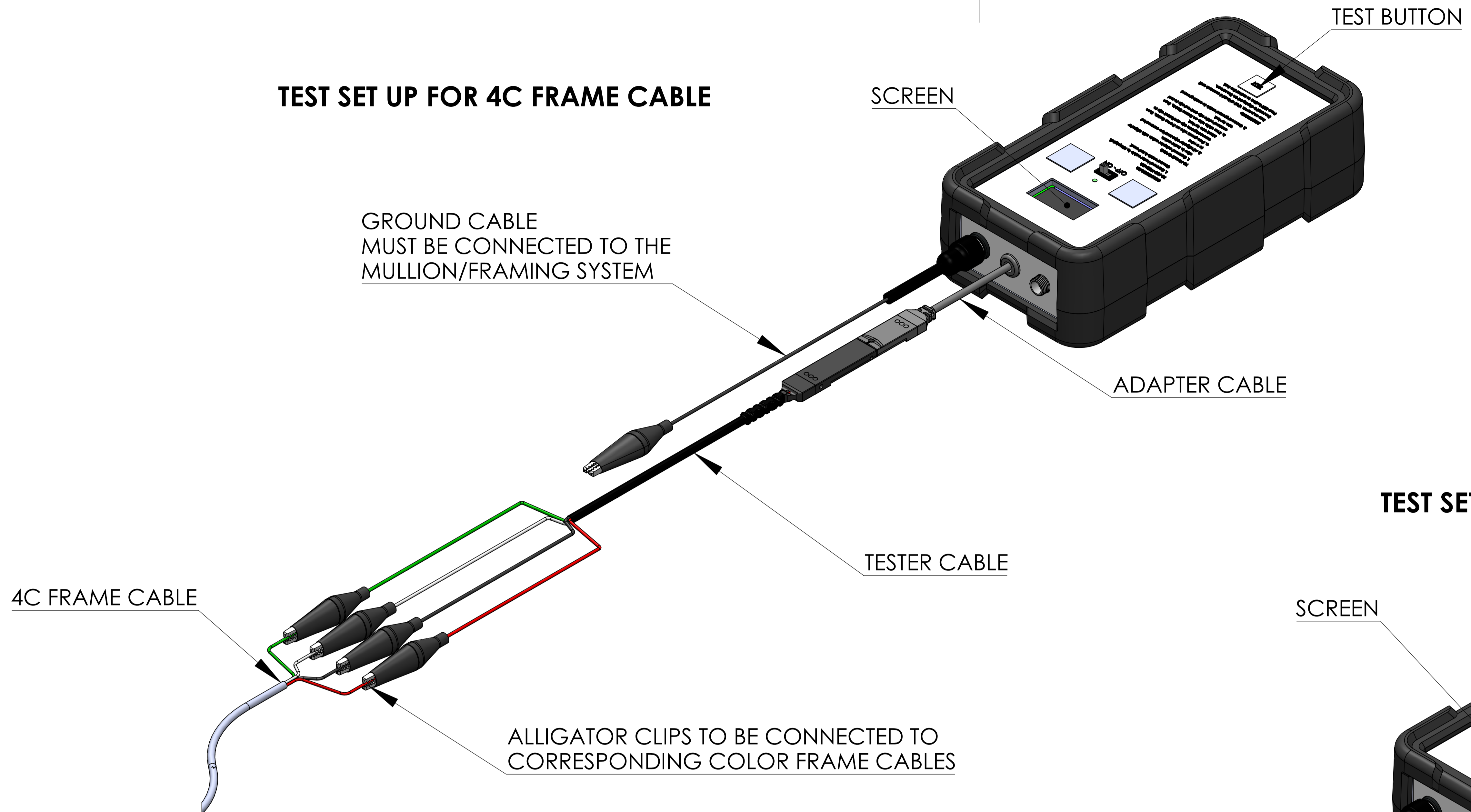
THIS DRAWING IS THE PROPERTY AND COPYRIGHT OF SAGE ELECTROCHROMICS INC. REPRODUCTION OR USE WITHOUT WRITTEN CONSENT IS PROHIBITED. DO NOT SCALE THE DRAWING.

# SITE INSTALLED FRAME AND REF TAGS

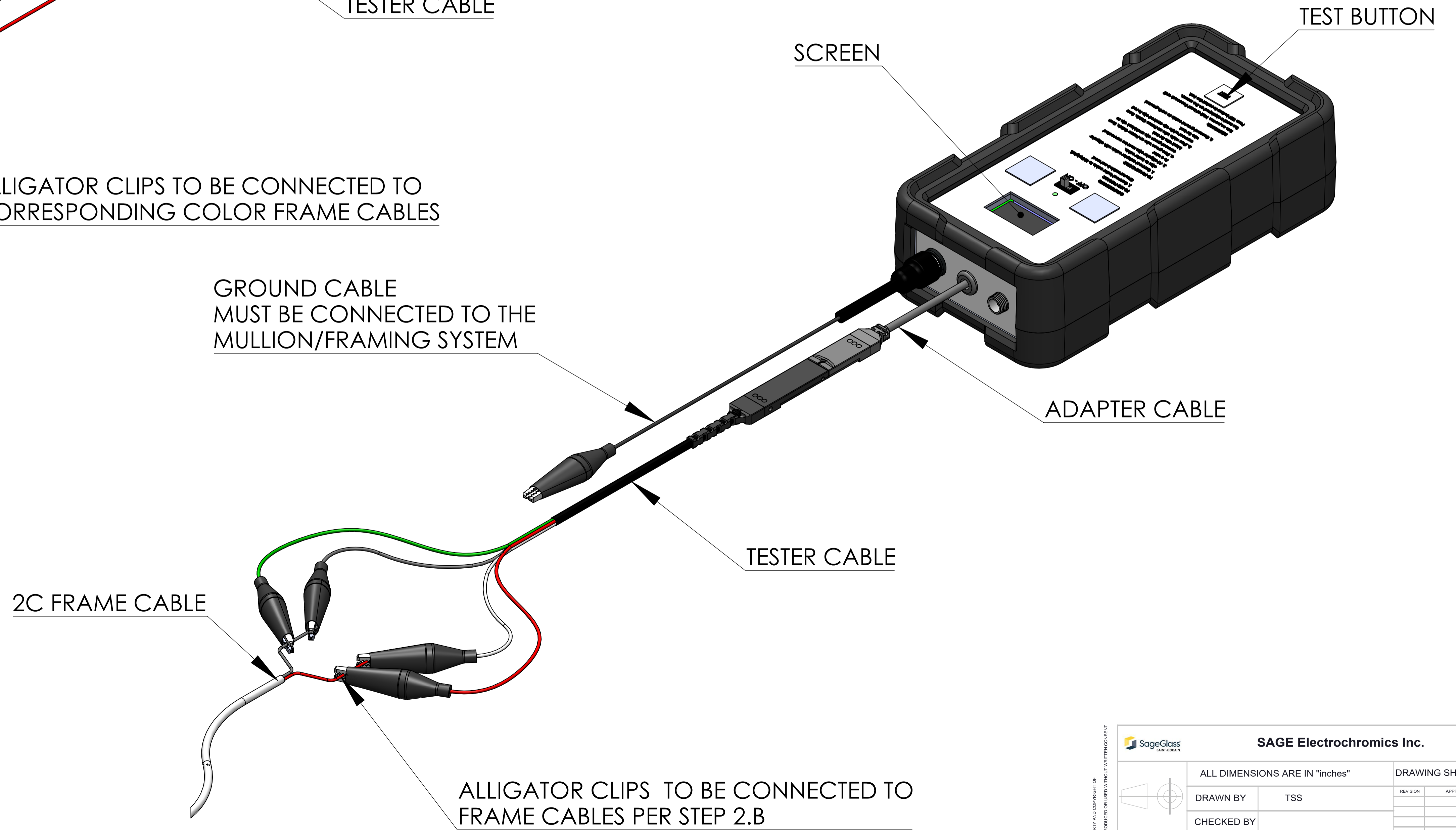


THIS DRAWING IS THE PROPERTY AND COPYRIGHT OF SAGE ELECTROCHROMICS INC. REPRODUCTION OR USE WITHOUT WRITTEN CONSENT IS STRICTLY PROHIBITED. DO NOT SCALE THE DRAWING.	 <b>SAGE Electrochromics Inc.</b>		DRAWING SHEET A1	
	ALL DIMENSIONS ARE IN "inches"		REVISION	APPROVED BY DATE
	DRAWN BY	TSS		
	CHECKED BY			
DESCRIPTION : <b>Kawneer 1600 Stick Glazing System</b>				
SCALE: 1:6	DATE : 27-01-2023	SHEET NO	6 OF 7	

TEST SET UP FOR 4C FRAME CABLE



TEST SET UP FOR 2C FRAME CABLE



**CONNECTIONS:**

**TO FRAME CABLE:**

1. Connect adapter cable with alligator clips to tester cable.
2. All alligator clips must be connected to a wire:
  - a. If 4-Conductor frame cable, connect each alligator clip to the corresponding frame cable wire.
  - b. If 2-Conductor frame cable, connect red and white alligator clips to red frame cable wire and black and green alligator clips to black frame cable wire.
3. Connect ground cable to earth ground. (mullion / framing system)

**TO IGU PIGTAILS:**

1. Connect tester cable to IGU pigtail. Ground cable is not used.

**DIRECTIONS:**

Turn on power. Wait at least 5 seconds until the result is displayed on the screen. Press TEST button to restart the test.

		<b>SAGE Electrochromics Inc.</b>	
ALL DIMENSIONS ARE IN "inches"		DRAWING SHEET	A1
DRAWN BY	TSS	REVISION	APPROVED BY DATE
CHECKED BY			
DESCRIPTION : <b>Kawneer 1600 Stick Glazing System</b>			
SCALE: 1:1	DATE : 27-01-2023	SHEET NO	7 OF 7