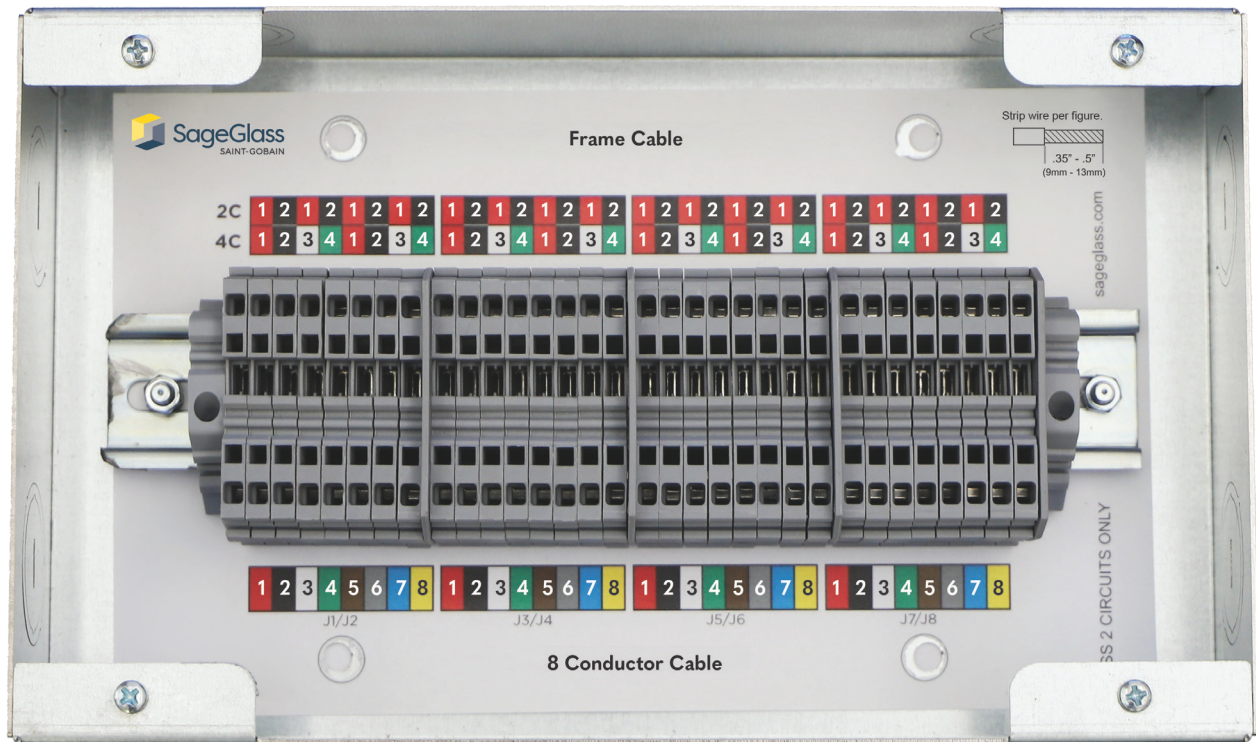


Product Sheet: Terminal Box

The Terminal Box provides a junction point for the 8-Conductor Cable to the Frame Cables, extending total range of the connection.



Product Dimensions

Part Number	Dimensions		
	Width	Length	Depth
300-1179-001	6.1"	10.1"	2.4"

One Terminal Box per controller. The Terminal Box can support up to 64 terminations.

Package Includes

1. Terminal Box
2. 4x mounting screws with anchors

Tools and Materials required

1. #2 Phillips screwdriver (or drill with #2 Phillips bit)
2. 1/8" Flat screw driver for terminal block wire clamps

Additional Supporting Documentation

Refer to SageGlass Product Sheets as they are produced for more in-depth information regarding the control system components. Reference sageglass.com/resources

System Requirements

1. A 8-Conductor Cable is used to bridge the distance between a Terminal Box and Control Panel. The 8-Conductor Cable is not pre-terminated at either end as individual wires are inserted into the corresponding color slot at the Control Panel and the Terminal Box.

The 8-Conductor Cable is a 16AWG cable (North America Only). The cable is sheathed with Plenum rated PVC CL2P insulation which complies with the typical requirements of the NEC and applicable building codes for Class 2 low voltage DC circuits.

2. Environmental conditions: 32 °F to 104 °F and 0% to 90% relative humidity non-condensing.
3. All cables supplied by SageGlass should be conditioned for 24 hours at room temperature prior to installation and never installed below 32 °F ambient temperature.

Installation Requirements

The Terminal Box must be mounted in an accessible location, and it must be installed within the length of the Frame Cable, up to 75 feet from the IGUs. Please refer to the table below for more information. The Terminal Box can be surface or flush mounted.

Terminal Box Distance from IGUs	Max Frame Cables per Terminal Box	Number of Conductors	Frame Cable Part Number	Max Length of 16AWG 8-Conductor Cable
50 feet	16	2	330-0007-007	300 feet
	8	4	330-0011-007	
75 feet	16	2	330-0007-008	200 feet
	8	4	330-0011-008	

Installation

Position the Terminal Box according to the Wiring Diagram; ensure that this location is within the Frame Cable length limits.

Step 1:

Temporarily remove front cover (1) to gain access to mounting holes (2) from inside.

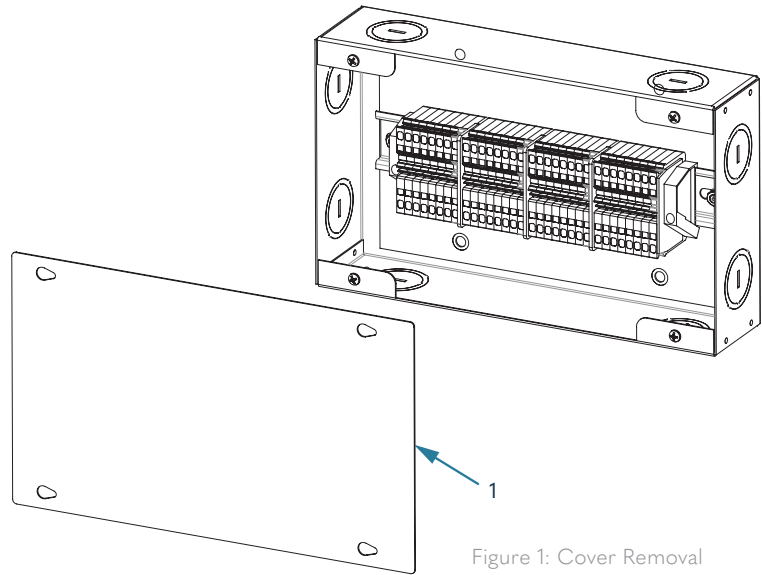


Figure 1: Cover Removal

Step 2:

Using the mounting holes, mark the four holes for drill locations.

Step 3:

Mount the box to the selected surface with four screws and anchors if needed (included) through the holes of the Terminal Box.

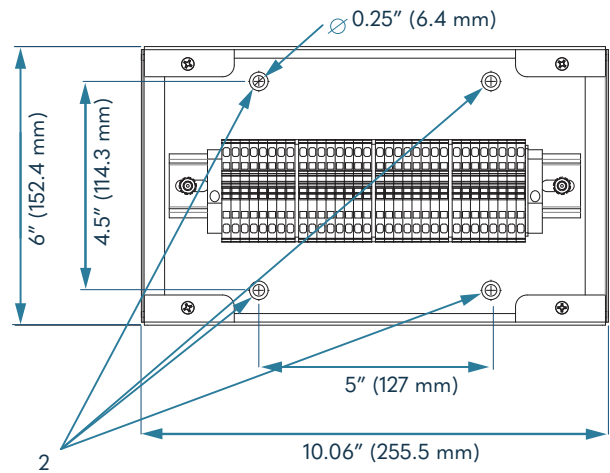


Figure 2: Mounting Dimensions

Terminal Box Wiring

Step 1:

For termination, remove 0.35-0.5" of wire insulation, then insert the wires into the terminals. To insert wire into terminal a 1/8" flat screw driver should be used. Insert screw driver and tilt towards center of terminal block.

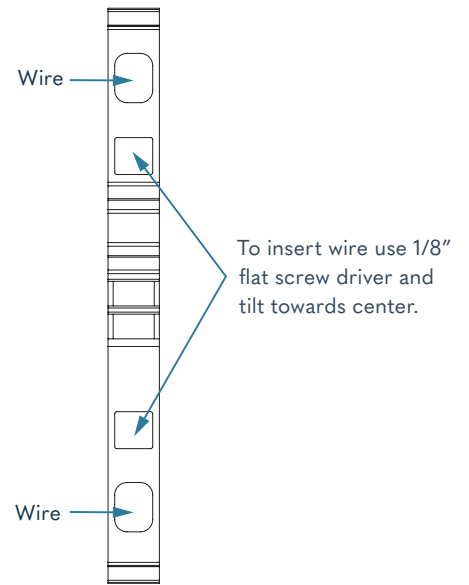


Figure 3: Terminal Box Wiring

Step 2:

Refer to the SageGlass Wiring Diagram for exact locations of cables. A color coded label within the Terminal Box can be used as a guide to help ensure proper wiring.



Figure 4: Frame Cable Wire Colors



Figure 5: 8-Conductor Cable Colors

Step 3:

Reinstall the cover when complete.