

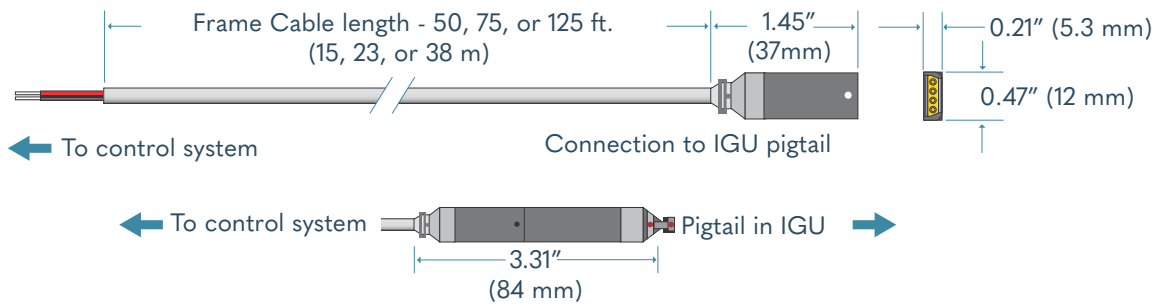
Product Sheet: Frame Cable

The SageGlass® Frame Cable connects the SageGlass insulating glass units (IGUs) to the control system. It can be ordered in a variety of lengths and conductor configurations to meet specific installation requirements. The plenum rated, PVC-insulated Frame Cable wires are 22 AWG.



Product Dimensions

Frame Cable is joined to the IGU pigtail with an easy-snap connector.



Part Numbers

Part Number	Cable Length	Conductors	Nominal Diameter
330-0007-007	50 ft / 15 m	2	0.116" / 2.95 mm
330-0011-007		4	0.136" / 3.45 mm
330-0007-008	75 ft / 23 m	2	0.116" / 2.95 mm
330-0011-008		4	0.136" / 3.45 mm
330-0007-010	125 ft / 38 m	2	0.116" / 2.95 mm
330-0011-010		4	0.136" / 3.45 mm

Temperature rated -4 to 167 °F

Product Ratings

Plenum rated



Installation

To protect the cable from damage while routing it through the framing system, use the grommets provided. A 3/8" (10mm) hole is required to install grommet. Frame Cables should be conditioned for 24 hours at room temperature prior to installation. The cables should never be installed below 32 °F ambient temperature. Once installed, the cables must not be exposed to sunlight, even through glass. If they are installed in an exposed location, they must be covered or painted (latex/water-based paint only). Non-adherence to these guidelines will void the warranty.

Conductor Count

Correct cable (2C or 4C) must be used per wiring/elevation diagram.

